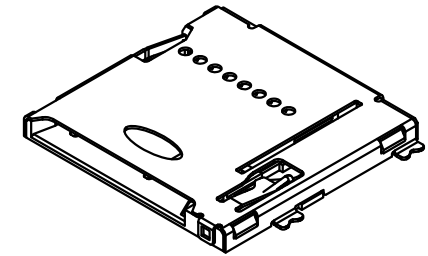


Recommended PCB Layout

As viewed from component side General Tolerance: ±0.05
 [Hatched] Solder Area [Cross-hatched] Keep Out Area [Dashed] Component Outline



Specifications

- Material**
 Housing: Hi-temp Thermoplastic, UL94V-0, Black
 Contact Terminal: Copper Alloy
 Metallic Shell: Stainless Steel
 Coil Spring: SWP
 Latch: Stainless Steel
 Slider: Hi-temp Thermoplastic, UL94V-0, Black
 CD Pin: Copper Alloy

Plating

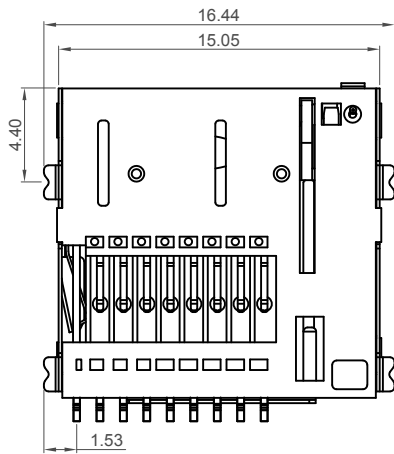
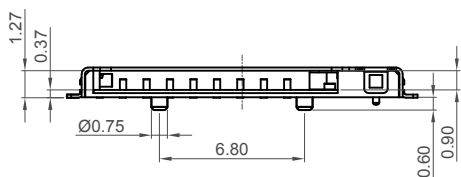
- Contact Terminal & CD Pin:
 Under-plating: 50µ" min. Nickel all over
 Contact Area: 1u" Au min
 Soldering Area: Gold Flash
 Metallic Shell:
 Under-plating: 50µ" Nickel all over
 Soldering Area: Gold Flash

Electrical

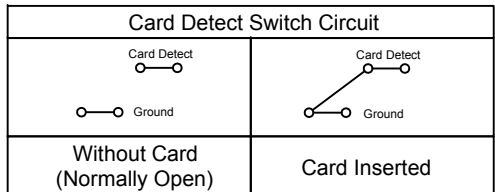
- Voltage Rating: 30V AC/DC
 Current Rating: 0.5A per pin.
 Contact Resistance: 100mΩ max.
 Insulating Resistance: 1000MΩ min.
 Dielectric Withstand Voltage: 500 V AC

Mechanical & Environmental

- Operating Temperature: -25°C to +85°C
 Durability: 5000 Cycles
 Lock/Release Force: 10N (1.02 kgF) max



Micro SD Card Pin Assignment			
Pin	Name	Type	Description
P1	DAT2	I/O/PP	Data Line [Bit 2]
P2	CD/DAT3	I/O/PP	Card Detect/Data Line [Bit 3]
P3	CMD	PP	Command/Response
P4	V _{DD}	S	Supply Voltage
P5	CLK	I	Clock
P6	V _{SS}	S	Supply Voltage Ground
P7	DAT0	I/O/PP	Data Line [Bit 0]
P8	DAT1	I/O/PP	Data Line [Bit 1]

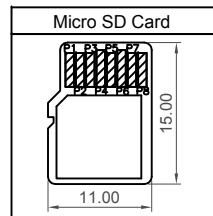


Ordering Grid

MEM2075 - 00 - 140 - 01 - A

[Request Samples and Quotation](#)

- Switch: 00 = Normally Open, 01 = With
 Locating Post: 01 = With
 Packing Options: A = Tape & Reel (1000 per Reel)



Part Number		Product Description	
MEM2075		Micro SD Memory Card Connector, 1.40mm Profile	
Drawing Date		SMT, Push-Push, with Normally open Switch	
19th December 2017			
By	CC	Tolerances (Except as Noted)	Units:
Detail	Drawing Release	Length	Metric (mm)
Revision	A1	Angle	±1°
Date	10/09/20	X.X ±0.25	
		X.XX ±0.15	
		X.XXX ±0.100	

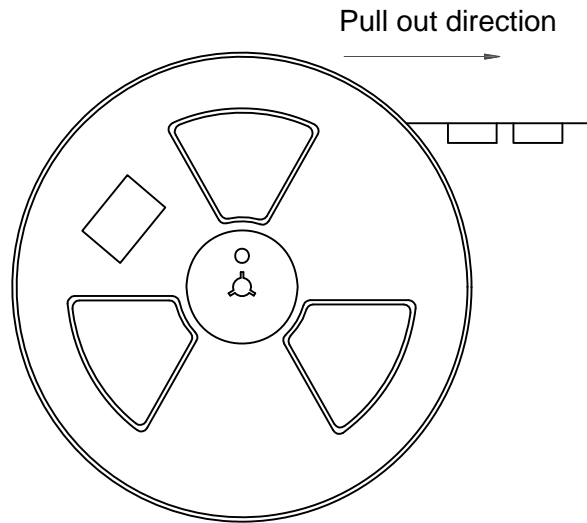
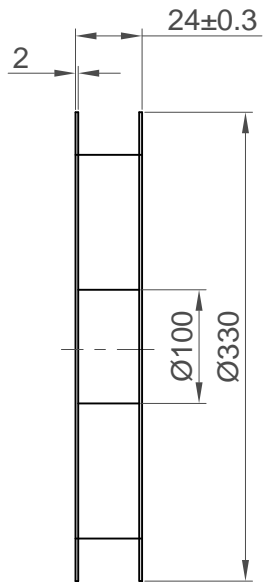


This drawing is confidential and copyright of Global Connector Technology, Ltd (GCT). This drawing must not be copied or disclosed without written consent. E & OE



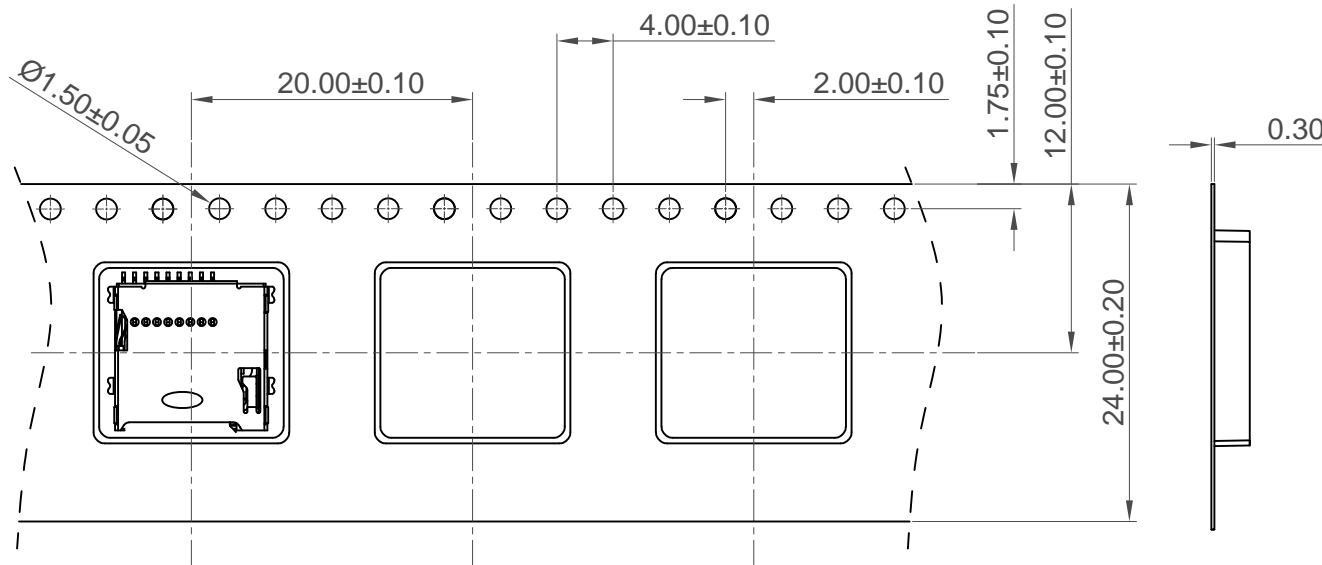
www.gct.co

Not to Scale	Drawn By CC	Sheet No. 1/2
--------------	-------------	---------------






Quantity:1000 pcs/Reel

Pcs/Reel	Reels/Carton	Pcs/Carton	Carton Dimensions
1000	10	10000	345 x 345 x 315mm



Note: All dimensions meet EIA-481-B requirements.

Part Number		MEM2075		Product Description		Micro SD Memory Card Connector, 1.40mm Profile	
Drawing Date		19th December 2017		SMT, Push-Push, with Normally open Switch		  This drawing is confidential and copyright of Global Connector Technology, Ltd (GCT). This drawing must not be copied or disclosed without written consent. E & OE	
By	CC	Tolerances (Except as Noted)		Units:			
Detail	Drawing Release	Length	Angle	Metric (mm)			
Revision	A1	X.X ±0.38	±1°	 3rd Angle Projection			
Date	10/09/20	X.XX ±0.25	X.XXX ±0.100			Not to Scale Drawn By CC	
						Sheet No. 2/2	

